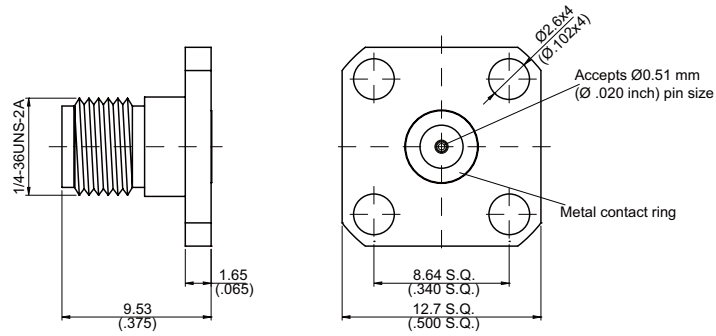


SMA8F46C-EM20

4-Hole SMA Jack Panel Receptacle

50Ω



Typical VSWR

	1Ghz	2Ghz	3Ghz	4Ghz	5Ghz
Part Number	1.03	1.04	1.09	1.13	1.17
SMA8F46C-EM20	6~17Ghz	18Ghz	19~25Ghz	26Ghz	27Ghz
	1.20	1.26	1.30	1.33	1.35

Parts	Material	Plating (Micro-inch)
Ferrule	Stainless Steel	Passivated
Contact Pin	Beryllium Copper	Gold 20 Over Nickel 50 Over Copper 50
Insulator	Teflon	
Body	Stainless Steel	Passivated

Weight:

This part number complies with RoHS.

Notice: JYEBAO reserves the right to make modifications deemed appropriate.